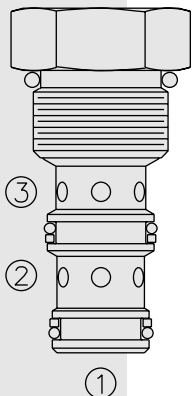


FR10-32F Flow Regulator, Fixed Orifice,



DESCRIPTION

A screw-in, cartridge-style, pressure-compensated, fixed orifice, bi-directional, restrictive-type flow control valve.

OPERATION

The FR10-32F maintains a constant flow rate regardless of pressure drop across the valve and regardless of flow direction: from port ② to port ③ or from port ③ to port ②. Port ① should be blocked.

FEATURES

- Hardened seat for long life and low leakage.
- Excellent linearity and hysteresis.
- Industry common cavity.

RATINGS

Operating Pressure: Inlet: 240 bar (3500 psi)

Flow Settings: 2.0 to 19.0 lpm (0.05 to 5 gpm); see performance chart

Internal Leakage: 0.38 ml/minute (0.10 gpm/minute) maximum

Temperature: -40 to 120°C with Buna N seals

Filtration: See page 9.010.1

Fluids: Mineral-based or synthetics with lubricating properties at viscosities of 7.4 to 420 cSt (50 to 2000 ssu)

Installation: No restrictions; See page 9.020.1

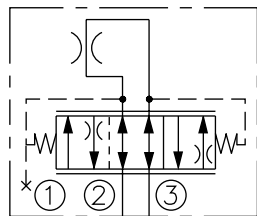
Cavity: VC10-3; See page 9.110.1

Cavity Tool: CT10-3XX; See page 8.600.1

Seal Kit: SK10-3X-MM; See page 8.650.1

SYMBOLS

USASI/ISO:

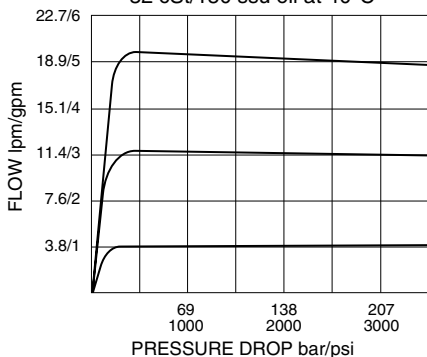


PERFORMANCE (Cartridge Only)

Regulated Flow vs. Pressure Drop

② to ③ or ③ to ②

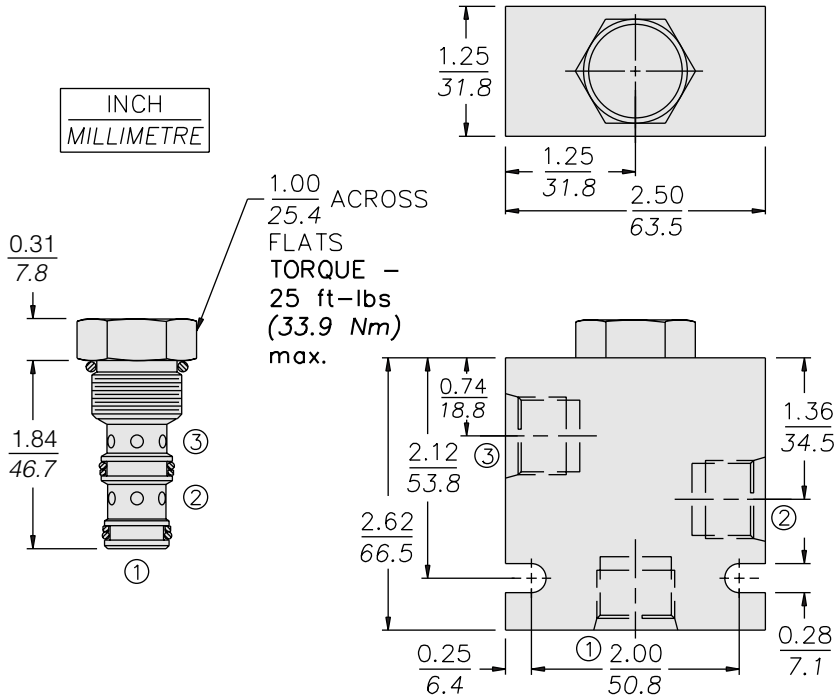
1, 3 and 5 gpm settings shown
32 cSt/150 ssu oil at 40°C



Bi-Directional

FR10-32F

DIMENSIONS



MATERIALS

Cartridge: Weight: 0.30 kg. (0.68 lbs.); Steel with hardened work surfaces. Zinc-plated exposed surfaces. Buna N O-rings and polyester elastomer back-ups standard.

Standard Ported Body: Weight: 0.36 kg. (0.80 lbs.); Anodized high-strength 6061 T6 aluminum alloy, rated to 240 bar (3500 psi); see page 8.010.1. Ductile iron and steel bodies available; consult factory.

TO ORDER

FR10-32F -

	Porting			
Cartridge Only	0			
SAE 6	6T			
SAE 8	8T			
1/4 in. BSP*	2B			
3/8 in. BSP*	3B			
	*BSP Body; U.K. Mfr. Only			
	Seals			
	Buna N (Std.)	N		
	Fluorocarbon	V		

Must Specify:

Setting in gpm

Specify; For example:
0.5 0.5 gpm
5.0 5.0 gpm
etc.

Setting in lpm

Specify; For example:
M2.0 2.0 lpm
M19.0 19.0 lpm
etc.